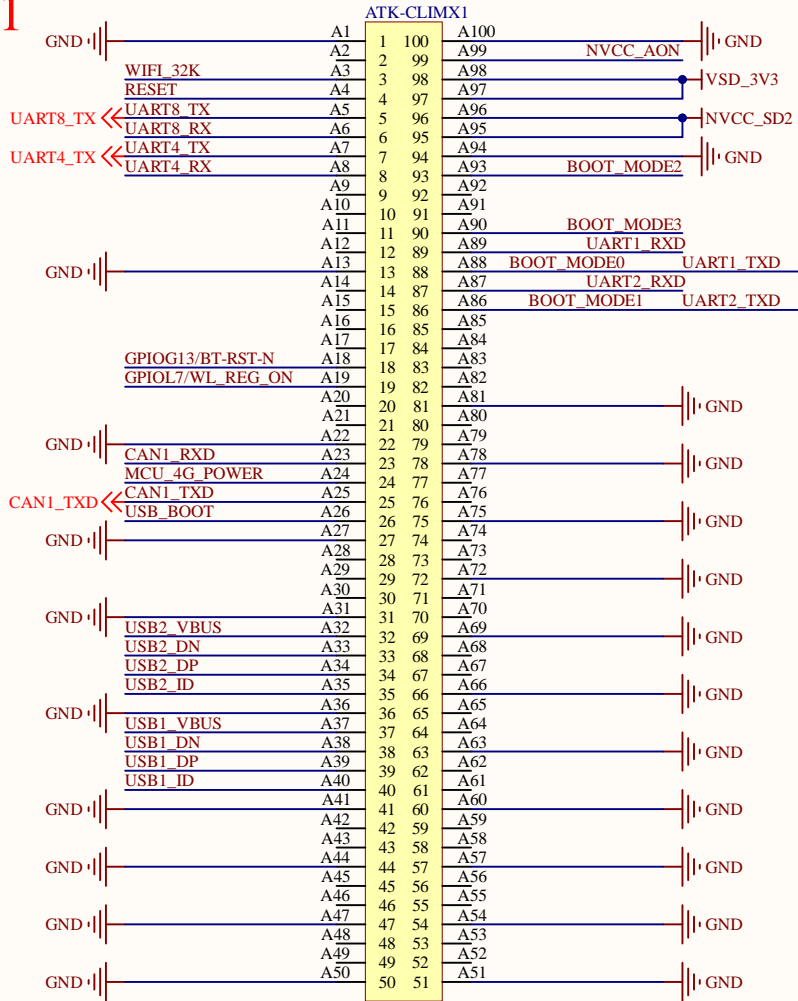
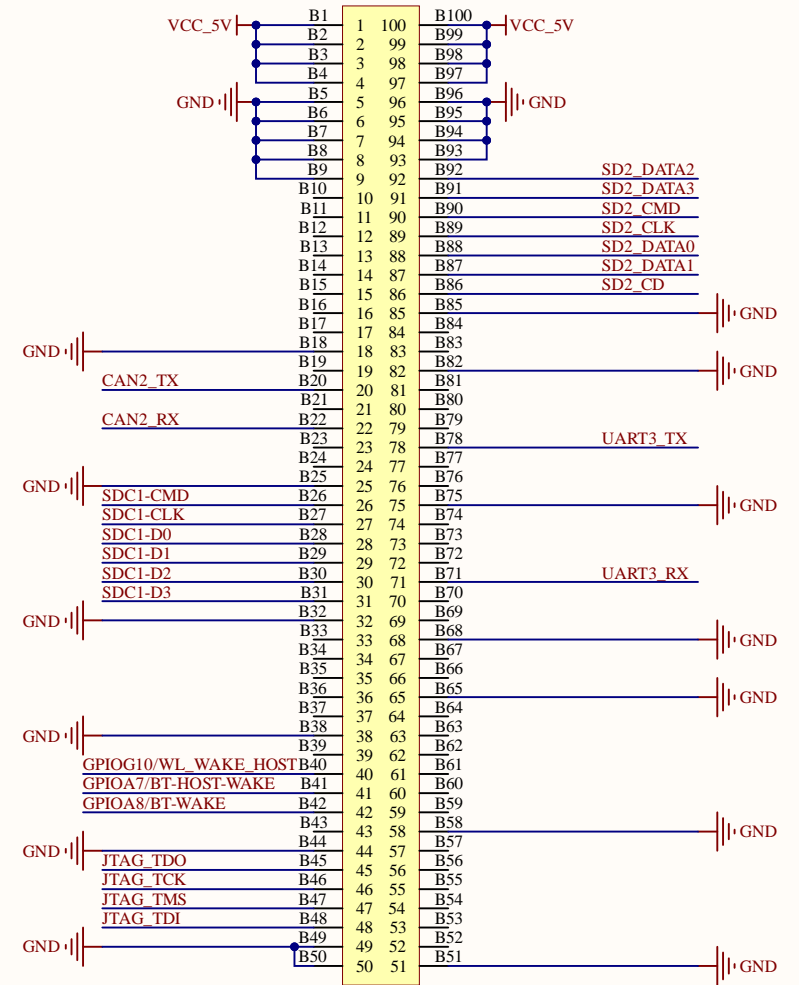
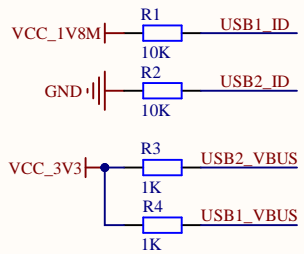


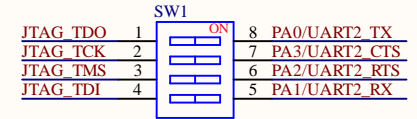
ATK-CLIMX93B1



A
ATK-CLIMX93B

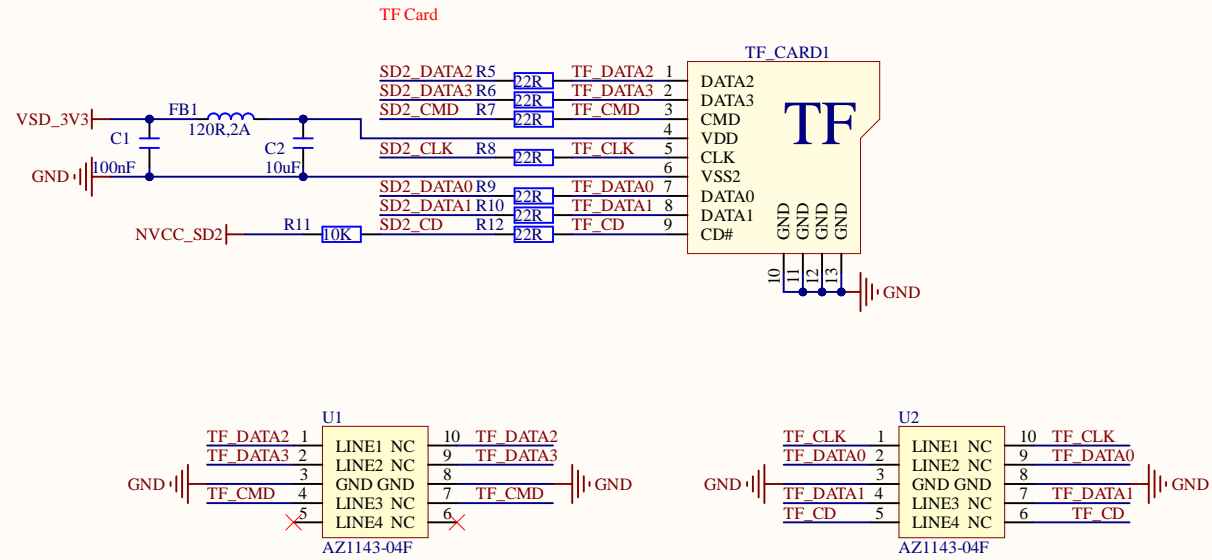


B



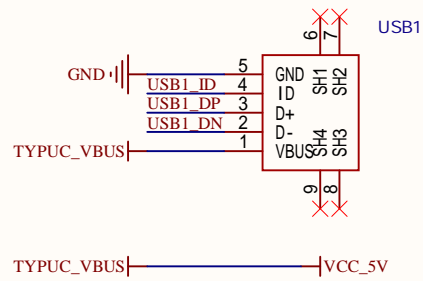
Title		
Size	Number	Revision
A4		
Date:	1/07/2025	Sheet of
File:	E:\AAAA\..ATK-CLIMX93B1.SchDoc	Drawn By:

TF Card



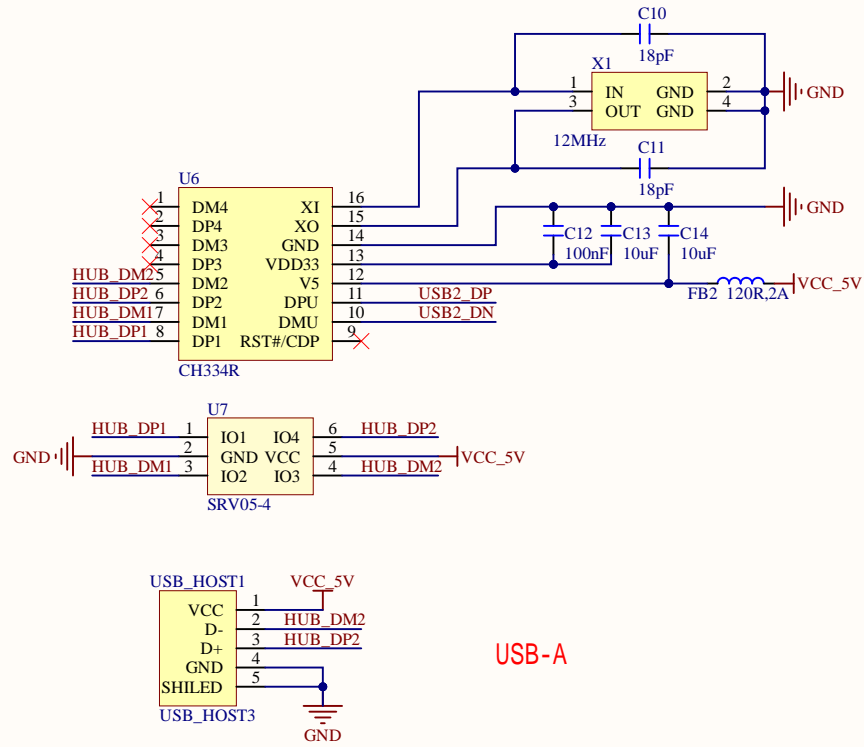
Title		
Size	Number	Revision
A4		
Date:	1/07/2025	Sheet of
File:	E:\AAAA\...\TF Card.SchDoc	Drawn By:

USB_OTG



Title		
Size	Number	Revision
A4		
Date:	1/07/2025	Sheet of
File:	E:\AAAAA\..\USB_OTG.SchDoc	Drawn By:

USB HUB

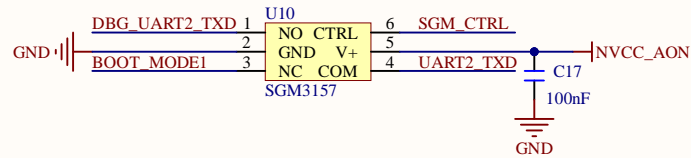
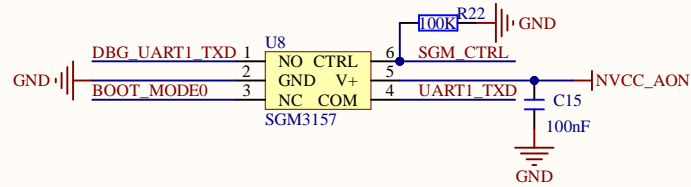
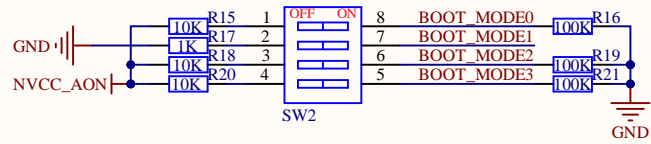


USB-A

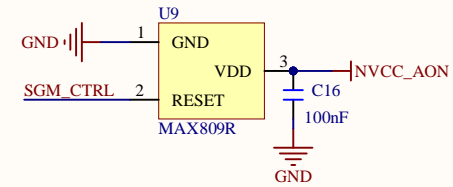
Title		
Size A4	Number	Revision
Date:	1/07/2025	Sheet of
File:	E:\AAAA\.\USB HUB.SchDoc	Drawn By:

BOOT_MODE CONFIG

#BOOT_MODE1 已在核心板上拉 3V3，即默认选择 EMMC 启动模式



NVCC_AON=3V3



BOOT DEVICE	BOOT CORE	BOOT0	BOOT1	BOOT2	BOOT3
USB	Cortex-A55	1	1	0	0
EMMC	Cortex-A55	0	0	0	0
SD Card	Cortex-A55	1	0	0	0
USB	Cortex-M33	1	1	0	1
EMMC	Cortex-M33	0	0	0	1
SD Card	Cortex-M33	1	0	0	1

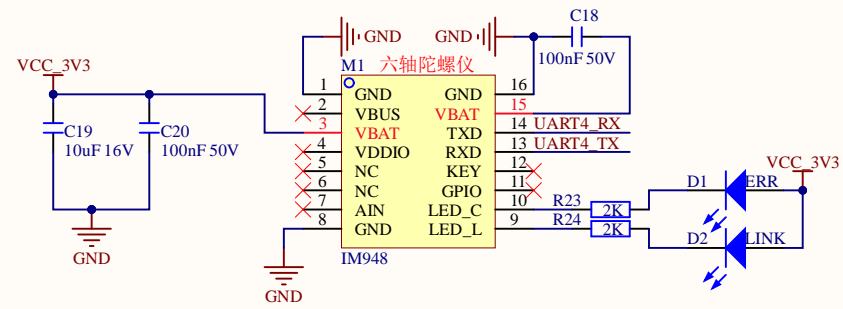
0=OFF, 0 is floating signal or grounded

1=ON, 1 is signal with pull-up or pull-down

NOTE: BOOT_MODE1 pull-up 10K Resistor on Core Board default

Title		
Size	Number	Revision
A4		
Date:	1/07/2025	Sheet of
File:	E:\AAAA\...\BOOT_MODE CONFIG.Sch Down By:	

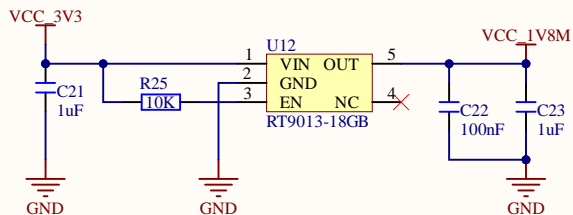
IM948



Title		
Size	Number	Revision
A4		
Date:	1/07/2025	Sheet of
File:	E:\AAAA\..IM948.SchDoc	Drawn By:

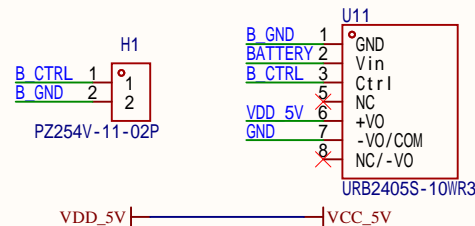
POWER

VCC_1V8



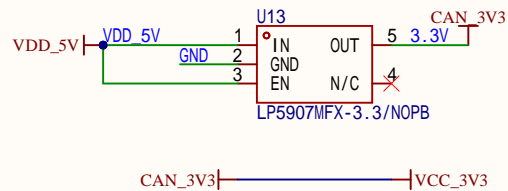
OBD_POWER

VDD5V



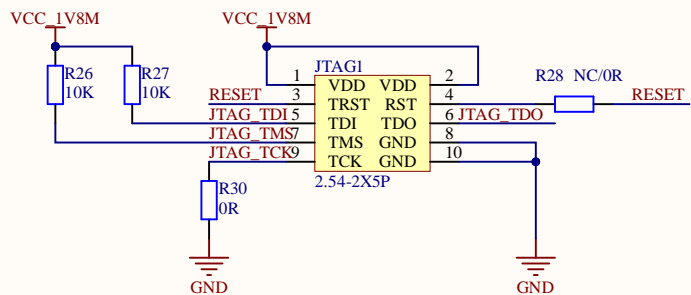
OBD供电部分，这个隔离电源的输入是9V36V，输出5V，功率10W，汽车的电压有12V和24V两种，可以兼容。当VDD_5V的电压大于MicroUSB时，VDD_5V向板子供电，否则板子从MicroUSB取电。H1的作用是禁用电源模块，强制用MicroUSB供电。

3V3

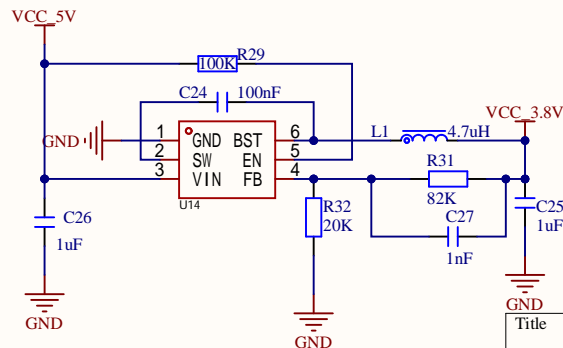


核心板上的VDD_5V通过RT8059输出3.3V，电流1A，但担心功率不够，所以再放一个LDO给USB转CAN供电。

JTAG



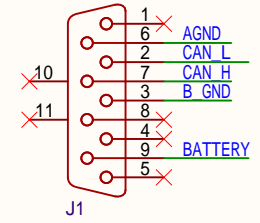
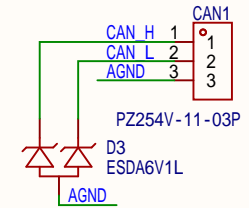
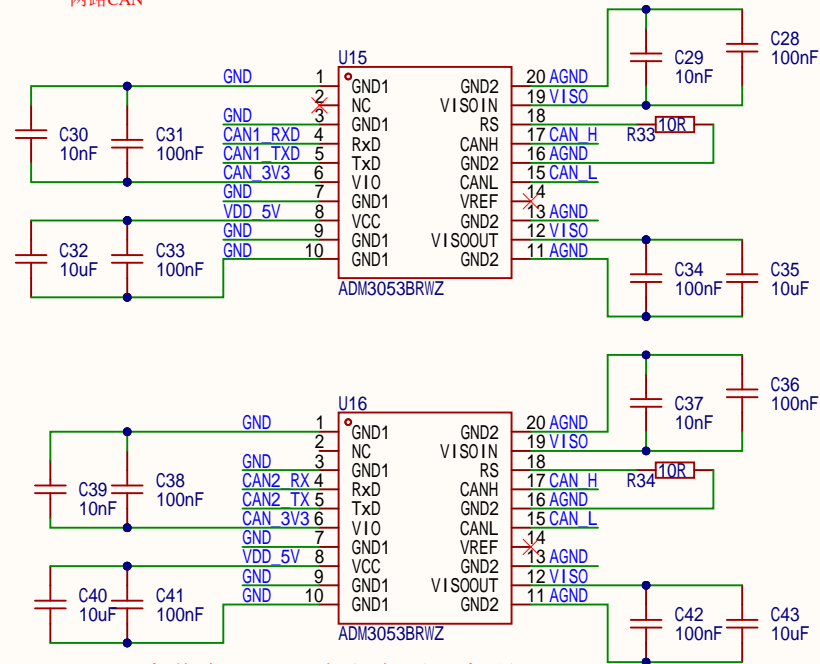
EC800_3V8



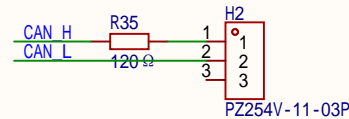
Title		
Size	Number	Revision
A4		
Date:	1/07/2025	Sheet of
File:	E:\AAAA\...\POWER.SchDoc	Drawn By:

DB9_CAN

两路CAN



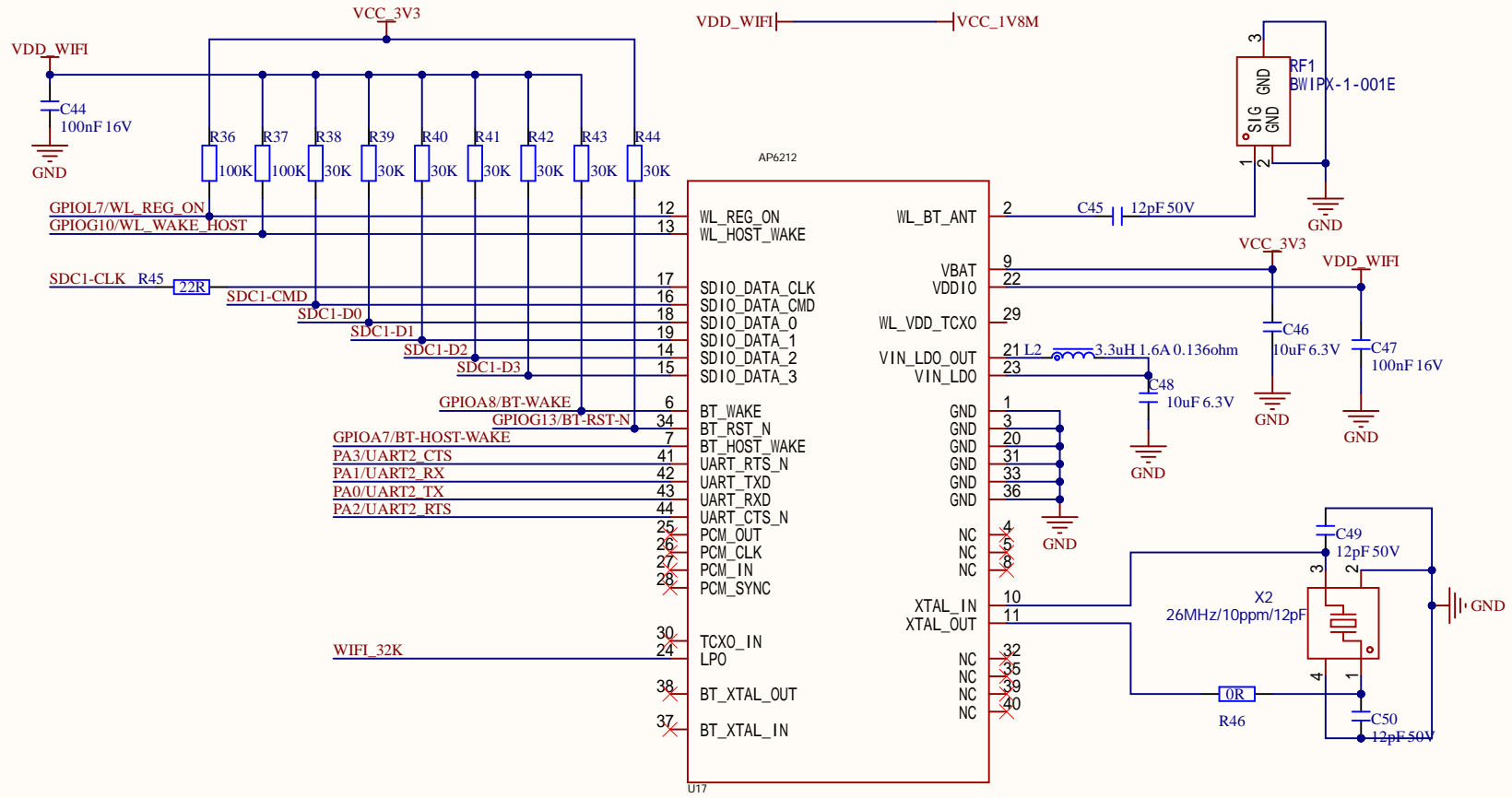
CAN隔离收发器，因为考虑到隔离所以直接用继电器开关终端电阻，这样体积大功耗大，但电路简单，如果用模拟开关，模拟开关的电源和信号都要隔离，电路太复杂。



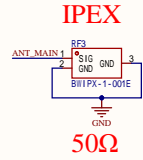
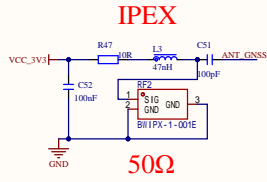
H2的作用是：
1,2短接时：接入终端电阻，不使用远程控制终端电阻

Title		
Size	Number	Revision
A4		
Date:	1/07/2025	Sheet of
File:	E:\AAAA\...\DB9_CAN.SchDoc	Drawn By:

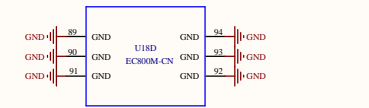
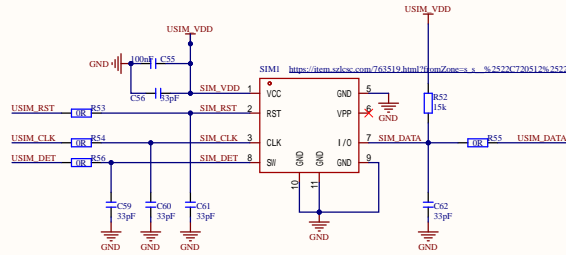
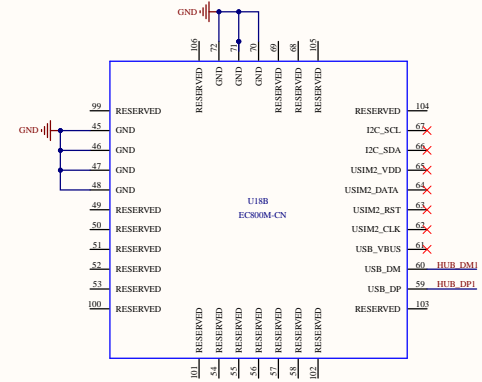
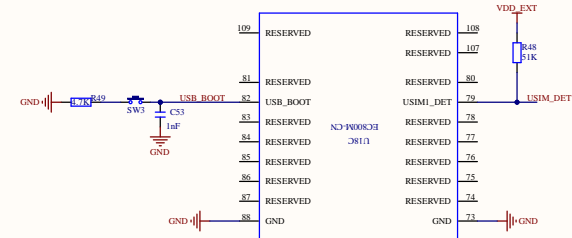
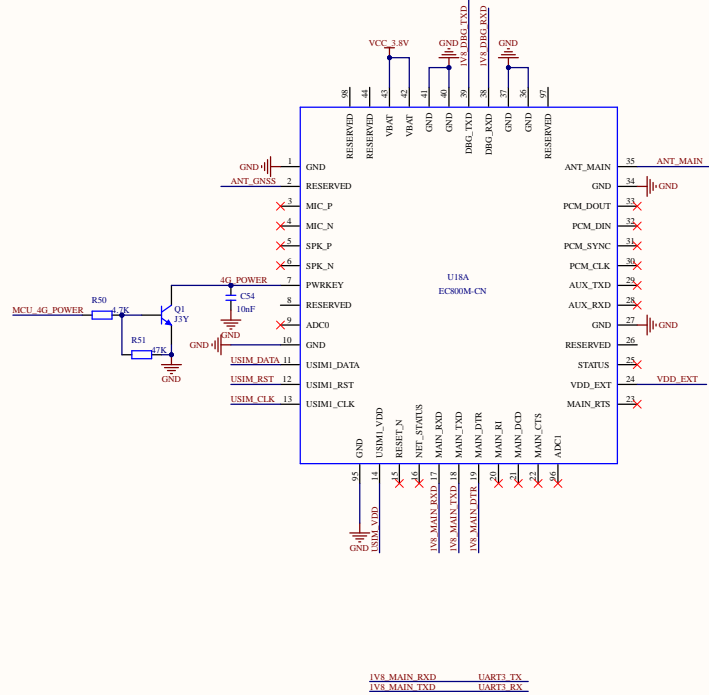
WIFI



Title		
Size	Number	Revision
A4		
Date:	1/07/2025	Sheet of
File:	E:\AAAA\.\WIFI_AP6212.SchDoc	Drawn By:



46引出4个口



Title		
Size	Number	Revision
A2		
Date:	10/2025	Sheet of
File:	E:\AAAAA_4G_EC800M-CN_SchDoc	Sheet of
		Drawn By: